

General

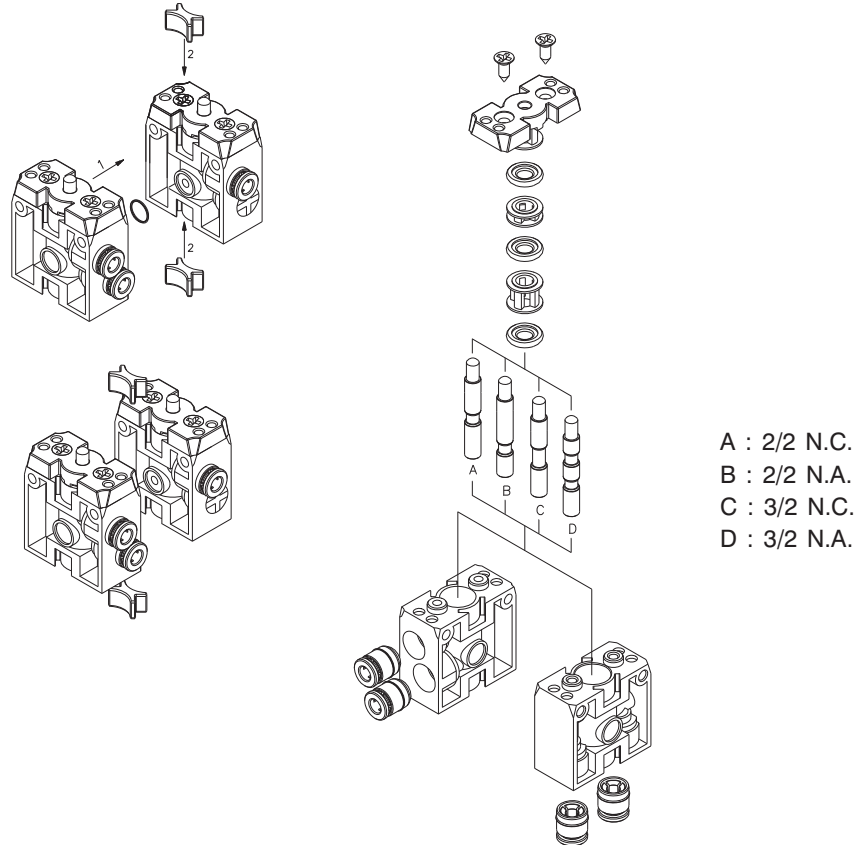
New 104 micro valves series have been realized as an economic version to complete the range of 105 valves version. With their small overall dimensions it makes easy installation and operation. Their main characteristic is the possibility to choose between the version with lateral or rear pneumatic connections realized with quick fitting for $\varnothing 4$ mm. tube included.

The valves are available with 2 or 3 ways versions, normally closed or open, 5 ways and 5 ways 3 positions open centres and pressured centres.

The 5 ways version is made with two 3 ways valves placed side by side with common inlet.

The operators available for this valve are push button (different versions), selector (key, short and long lever), lever (lever roller or lever unidirectional) and pneumatic.

It is also possible to combine the 2 and 3 ways valves with electrical switches, normally closed or open.



Construction characteristics

Body and cover	Technopolymer
Actuators	Plastic material for buttons and switches
Seals	NBR
Spacer	Acetal resin
Spool	Nickel-plated steel
Spring	Spring steel

Use and maintenance

These valves have an average life of 15 million cycles depending on the application and air quality, filtered and lubricated air using specified lubricants will dramatically reduce the wear of the seals and ensures long and trouble free operation.

Please ensure that the valve is being used according with the manufacturers specification, such as air pressure and temperature and that exhaust ports 3 & 5 are protected against the possible ingress of dirt or debris.

Repair kits including the spool complete with seals are available for overhauling the valves; however, although this is a simple operation it should be carried out by a competent person.

ATTENTION: use hydraulic oil class H for lubrication such as MAGNA GC 32 (Castrol).


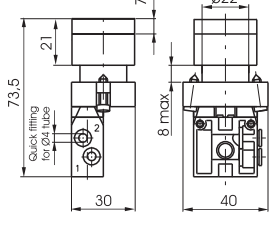

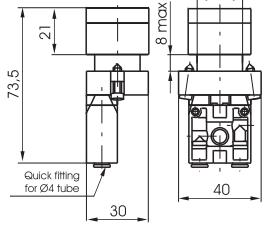
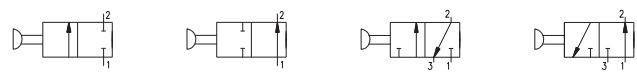
Tappet - Spring	2/2 3/2	Ordering code 104.T.0.1.P.F	2/2 3/2	Tappet - Spring		
<i>Lateral connections</i>		TYPE T 22 = 2 ways 32 = 3 ways CONNECTION TYPE P L = Lateral P = Rear FUNCTION A = Norm. open N.O. C = Norm. closed N.C.		<i>Rear connections</i>		
Weight gr. 20 Operating force 13 N				Weight gr. 20 Operating force 13 N		
Operational characteristics	Fluid Filtered and lubricated air or not	Max working pressure 10 bar	Operating Temperature Min. -5°C Max. +50°C	Flow rate at 6 bar with Δp=1 90 NI/min	Orifice size mm 2,5	Working port size ø4 tube


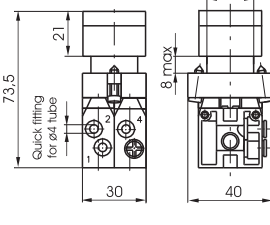

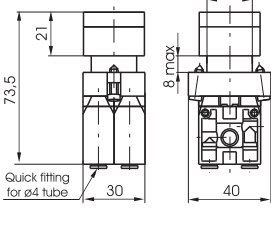
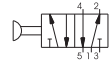
Push button - Spring	2/2 3/2	Ordering code 104.T.6.22/C.P.F	2/2 3/2	Push button - Spring		
<i>Lateral connections</i>		TYPE T 22 = 2 ways 32 = 3 ways BUTTON COLOR C 1 = Red 2 = Black 3 = Green 4 = Yellow CONNECTION TYPE P L = Lateral P = Rear FUNCTION A = Norm. open N.O. C = Norm. closed N.C.		<i>Rear connections</i>		
Weight gr. 50 Operating force 18 N				Weight gr. 50 Operating force 18 N		
Operational characteristics	Fluid Filtered and lubricated air or not	Max working pressure 10 bar	Operating Temperature Min. -5°C Max. +50°C	Flow rate at 6 bar with Δp=1 90 NI/min	Orifice size mm 2,5	Working port size ø4 tube


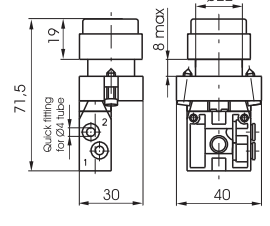

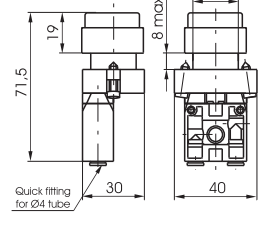

Push button - Spring	5/2	Ordering code 104.52.6.22/C.P	5/2	Push button - Spring		
<i>Lateral connections</i>		BUTTON COLOR C 1 = Red 2 = Black 3 = Green 4 = Yellow CONNECTION TYPE P L = Lateral P = Rear		<i>Rear connections</i>		
Weight gr. 105 Operating force 30 N				Weight gr. 105 Operating force 30 N		
Operational characteristics	Fluid Filtered and lubricated air or not	Max working pressure 10 bar	Operating Temperature Min. -5°C Max. +50°C	Flow rate at 6 bar with Δp=1 90 NI/min	Orifice size mm 2,5	Working port size ø4 tube


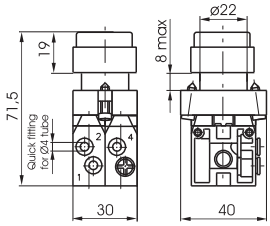
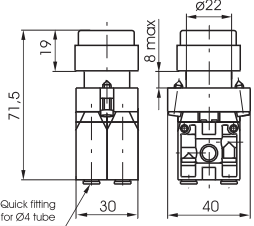





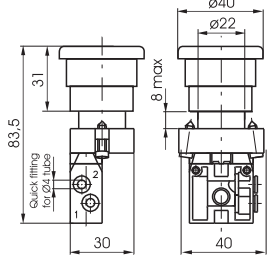
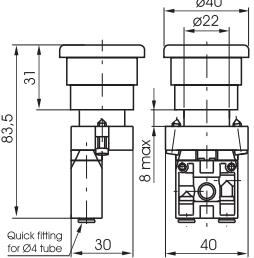


1


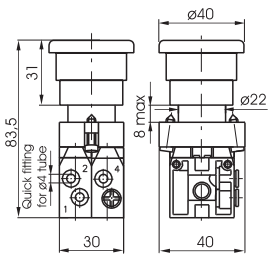
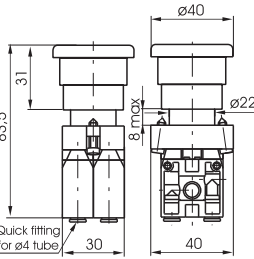

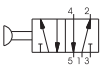
<p>Push button 2 positions</p> <p><i>Lateral connections</i></p>  	<p>2/2 3/2</p> <p>Ordering code 104.T.6.31.PF</p> <p>TYPE T 22 = 2 ways 32 = 3 ways CONNECTION TYPE P L = Lateral P = Rear FUNCTION F A = Norm. open N.O. C = Norm. closed N.C.</p>	<p>Push button 2 positions</p> <p><i>Rear connections</i></p>  				
<p>Weight gr. 60 Operating force 18N step - step</p> 		<p>Weight gr. 60 Operating force 18N step - step</p>				
Operational characteristics	Fluid Filtered and lubricated air or not	Max working pressure 10 bar	Operating Temperature Min. -5°C Max. +50°C	Flow rate at 6 bar with Δp=1 90 NI/min	Orifice size mm 2,5	Working port size ø4 tube

<p>Push button 2 positions</p> <p><i>Lateral connections</i></p>  	<p>5/2</p> <p>Ordering code 104.52.6.31.P</p> <p>CONNECTION TYPE P L = Lateral P = Rear</p>	<p>Push button 2 positions</p> <p><i>Rear connections</i></p>  				
<p>Weight gr. 110 Operating force 30N step - step</p> 		<p>Weight gr. 110 Operating force 30N step - step</p>				
Operational characteristics	Fluid Filtered and lubricated air or not	Max working pressure 10 bar	Operating Temperature Min. -5°C Max. +50°C	Flow rate at 6 bar with Δp=1 90 NI/min	Orifice size mm 2,5	Working port size ø4 tube

<p>Raised Push button - Spring</p> <p><i>Lateral connections</i></p>  	<p>2/2 3/2</p> <p>Ordering code 104.T.6.23/C.PF</p> <p>TYPE T 22 = 2 ways 32 = 3 ways BUTTON COLOR C 1 = Red 2 = Black 3 = Green 4 = Yellow CONNECTION TYPE P L = Lateral P = Rear FUNCTION F A = Norm. open N.O. C = Norm. closed N.C.</p>	<p>Raised Push button - Spring</p> <p><i>Rear connections</i></p>  				
<p>Weight gr. 50 Operating force 18N</p> 		<p>Weight gr. 50 Operating force 18N</p>				
Operational characteristics	Fluid Filtered and lubricated air or not	Max working pressure 10 bar	Operating Temperature Min. -5°C Max. +50°C	Flow rate at 6 bar with Δp=1 90 NI/min	Orifice size mm 2,5	Working port size ø4 tube

Raised Push button - Spring	5/2	Ordering code	5/2	Raised Push button - Spring																
<i>Lateral connections</i>		104.52.6.23/C.P		<i>Rear connections</i>																
		<table border="1" style="width:100%; border-collapse: collapse;"> <tr><td colspan="2">BUTTON COLOR</td></tr> <tr><td>1</td><td>Red</td></tr> <tr><td>2</td><td>Black</td></tr> <tr><td>3</td><td>Green</td></tr> <tr><td>4</td><td>Yellow</td></tr> <tr><td colspan="2">CONNECTION TYPE</td></tr> <tr><td>L</td><td>Lateral</td></tr> <tr><td>P</td><td>Rear</td></tr> </table>	BUTTON COLOR		1	Red	2	Black	3	Green	4	Yellow	CONNECTION TYPE		L	Lateral	P	Rear		
BUTTON COLOR																				
1	Red																			
2	Black																			
3	Green																			
4	Yellow																			
CONNECTION TYPE																				
L	Lateral																			
P	Rear																			
Weight gr. 105 Operating force 30N			Weight gr. 105 Operating force 30N																	
Operational characteristics	Fluid	Max working pressure	Operating Temperature	Flow rate at 6 bar with Δp=1	Orifice size	Working port size														
	Filtered and lubricated air or not	10 bar	Min. -5°C Max. +50°C	90 NI/min	mm 2,5	ø4 tube														

Palm button 2 position	2/2	Ordering code	2/2	Palm button 2 position																		
<i>Lateral connections</i>	3/2	104.1.6.25.P.F	3/2	<i>Rear connections</i>																		
		<table border="1" style="width:100%; border-collapse: collapse;"> <tr><td colspan="2">TYPE</td></tr> <tr><td>22</td><td>2 ways</td></tr> <tr><td>32</td><td>3 ways</td></tr> <tr><td colspan="2">CONNECTION TYPE</td></tr> <tr><td>L</td><td>Lateral</td></tr> <tr><td>P</td><td>Rear</td></tr> <tr><td colspan="2">FUNCTION</td></tr> <tr><td>A</td><td>Norm. open N.O.</td></tr> <tr><td>C</td><td>Norm. closed N.C.</td></tr> </table>	TYPE		22	2 ways	32	3 ways	CONNECTION TYPE		L	Lateral	P	Rear	FUNCTION		A	Norm. open N.O.	C	Norm. closed N.C.		
TYPE																						
22	2 ways																					
32	3 ways																					
CONNECTION TYPE																						
L	Lateral																					
P	Rear																					
FUNCTION																						
A	Norm. open N.O.																					
C	Norm. closed N.C.																					
Weight gr. 65 Operating force 19N Emergency - Rotate to unlock			Weight gr. 65 Operating force 19N Emergency - Rotate to unlock																			
Operational characteristics	Fluid	Max working pressure	Operating Temperature	Flow rate at 6 bar with Δp=1	Orifice size	Working port size																
	Filtered and lubricated air or not	10 bar	Min. -5°C Max. +50°C	90 NI/min	mm 2,5	ø4 tube																

Palm button 2 position	5/2	Ordering code	5/2	Palm button 2 position						
<i>Lateral connections</i>		104.52.6.25.P		<i>Rear connections</i>						
		<table border="1" style="width:100%; border-collapse: collapse;"> <tr><td colspan="2">CONNECTION TYPE</td></tr> <tr><td>L</td><td>Lateral</td></tr> <tr><td>P</td><td>Rear</td></tr> </table>	CONNECTION TYPE		L	Lateral	P	Rear		
CONNECTION TYPE										
L	Lateral									
P	Rear									
Weight gr. 120 Operating force 32N Emergency - Rotate to unlock			Weight gr. 120 Operating force 32N Emergency - Rotate to unlock							
Operational characteristics	Fluid	Max working pressure	Operating Temperature	Flow rate at 6 bar with Δp=1	Orifice size	Working port size				
	Filtered and lubricated air or not	10 bar	Min. -5°C Max. +50°C	90 NI/min	mm 2,5	ø4 tube				

1

<p>Switch - short lever</p> <p>Lateral connections</p> <p>Weight gr. 65 Switch 2 positions stable</p>	<p>2/2 3/2</p> <p>Ordering code 104.T.6.30.PF</p> <p>TYPE T 22 = 2 ways 32 = 3 ways CONNECTION TYPE P L = Lateral P = Rear FUNCTION F A = Norm. open N.O. C = Norm. closed N.C.</p>	<p>Switch - short lever</p> <p>Rear connections</p> <p>Weight gr. 65 Switch 2 positions stable</p>															
<table border="1" style="width:100%; border-collapse: collapse;"> <tr> <th rowspan="2">Operational characteristics</th> <th>Fluid</th> <th>Max working pressure</th> <th colspan="2">Operating Temperature</th> <th>Flow rate at 6 bar with $\Delta p=1$</th> <th>Orifice size</th> <th>Working port size</th> </tr> <tr> <td>Filtered and lubricated air or not</td> <td>10 bar</td> <td>Min. -5°C</td> <td>Max. +50°C</td> <td>90 NI/min</td> <td>mm 2,5</td> <td>ø4 tube</td> </tr> </table>			Operational characteristics	Fluid	Max working pressure	Operating Temperature		Flow rate at 6 bar with $\Delta p=1$	Orifice size	Working port size	Filtered and lubricated air or not	10 bar	Min. -5°C	Max. +50°C	90 NI/min	mm 2,5	ø4 tube
Operational characteristics	Fluid	Max working pressure		Operating Temperature		Flow rate at 6 bar with $\Delta p=1$	Orifice size	Working port size									
	Filtered and lubricated air or not	10 bar	Min. -5°C	Max. +50°C	90 NI/min	mm 2,5	ø4 tube										

<p>Switch - short lever</p> <p>Lateral connections</p> <p>Weight gr. 120 Switch 2 positions stable</p>	<p>5/2</p> <p>Ordering code 104.52.6.30.P</p> <p>CONNECTION TYPE P L = Lateral P = Rear</p>	<p>Switch - short lever</p> <p>Rear connections</p> <p>Weight gr. 120 Switch 2 positions stable</p>															
<table border="1" style="width:100%; border-collapse: collapse;"> <tr> <th rowspan="2">Operational characteristics</th> <th>Fluid</th> <th>Max working pressure</th> <th colspan="2">Operating Temperature</th> <th>Flow rate at 6 bar with $\Delta p=1$</th> <th>Orifice size</th> <th>Working port size</th> </tr> <tr> <td>Filtered and lubricated air or not</td> <td>10 bar</td> <td>Min. -5°C</td> <td>Max. +50°C</td> <td>90 NI/min</td> <td>mm 2,5</td> <td>ø4 tube</td> </tr> </table>			Operational characteristics	Fluid	Max working pressure	Operating Temperature		Flow rate at 6 bar with $\Delta p=1$	Orifice size	Working port size	Filtered and lubricated air or not	10 bar	Min. -5°C	Max. +50°C	90 NI/min	mm 2,5	ø4 tube
Operational characteristics	Fluid	Max working pressure		Operating Temperature		Flow rate at 6 bar with $\Delta p=1$	Orifice size	Working port size									
	Filtered and lubricated air or not	10 bar	Min. -5°C	Max. +50°C	90 NI/min	mm 2,5	ø4 tube										

<p>Switch - short lever</p> <p>Lateral connections</p> <p>Weight gr. 120</p>	<p>5/3</p> <p>Ordering code 104.53.F.6.30.S.P</p> <p>FUNCTION F 32 = Open centres 33 = Pressured centres SWITCH POSITIONS S 0 = 3 pos. instable 1 = 3 pos. stable CONNECTION TYPE P L = Lateral P = Rear</p>	<p>Switch - short lever</p> <p>Rear connections</p> <p>Weight gr. 120</p>															
<table border="1" style="width:100%; border-collapse: collapse;"> <tr> <th rowspan="2">Operational characteristics</th> <th>Fluid</th> <th>Max working pressure</th> <th colspan="2">Operating Temperature</th> <th>Flow rate at 6 bar with $\Delta p=1$</th> <th>Orifice size</th> <th>Working port size</th> </tr> <tr> <td>Filtered and lubricated air or not</td> <td>10 bar</td> <td>Min. -5°C</td> <td>Max. +50°C</td> <td>90 NI/min</td> <td>mm 2,5</td> <td>ø4 tube</td> </tr> </table>			Operational characteristics	Fluid	Max working pressure	Operating Temperature		Flow rate at 6 bar with $\Delta p=1$	Orifice size	Working port size	Filtered and lubricated air or not	10 bar	Min. -5°C	Max. +50°C	90 NI/min	mm 2,5	ø4 tube
Operational characteristics	Fluid	Max working pressure		Operating Temperature		Flow rate at 6 bar with $\Delta p=1$	Orifice size	Working port size									
	Filtered and lubricated air or not	10 bar	Min. -5°C	Max. +50°C	90 NI/min	mm 2,5	ø4 tube										



1


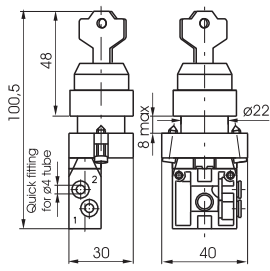

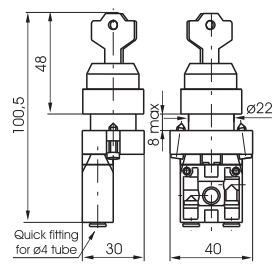

Switch - long lever	2/2 3/2	Ordering code	2/2 3/2	Switch - long lever		
<i>Lateral connections</i>		104.1.6.27.P.F		<i>Rear connections</i>		
		TYPE T 22 = 2 ways 32 = 3 ways CONNECTION TYPE P L = Lateral P = Rear FUNCTION F A = Norm. open N.O. C = Norm. closed N.C.				
Weight gr. 65 Switch 2 positions stable				Weight gr. 65 Switch 2 positions stable		
Operational characteristics	Fluid	Max working pressure	Operating Temperature	Flow rate at 6 bar with $\Delta p=1$	Orifice size	Working port size
	Filtered and lubricated air or not	10 bar	Min. -5°C Max. +50°C	90 NI/min	mm 2,5	ø4 tube


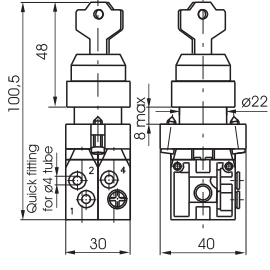

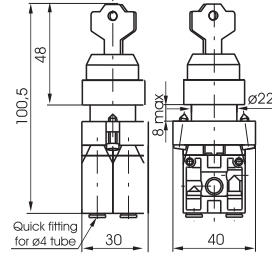
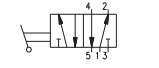
Switch - long lever	5/2	Ordering code	5/2	Switch - long lever		
<i>Lateral connections</i>		104.52.6.27.P		<i>Rear connections</i>		
		CONNECTION TYPE P L = Lateral P = Rear				
Weight gr. 120 Switch 2 positions stable				Weight gr. 120 Switch 2 positions stable		
Operational characteristics	Fluid	Max working pressure	Operating Temperature	Flow rate at 6 bar with $\Delta p=1$	Orifice size	Working port size
	Filtered and lubricated air or not	10 bar	Min. -5°C Max. +50°C	90 NI/min	mm 2,5	ø4 tube


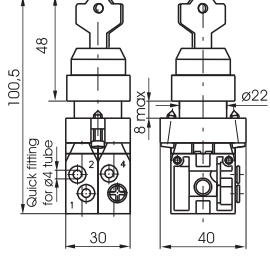

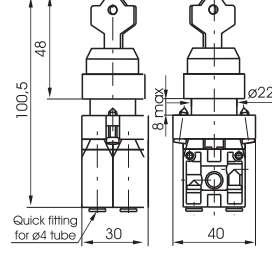
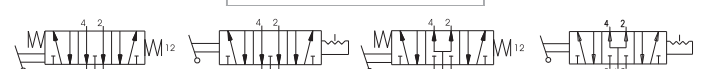
Switch - long lever	5/3	Ordering code	5/3	Switch - long lever		
<i>Lateral connections</i>		104.53.F.6.27.S.P		<i>Rear connections</i>		
		FUNCTION F 32 = Open centres 33 = Pressured centres SWITCH POSITIONS S 0 = 3 pos. instable 1 = 3 pos. stable CONNECTION TYPE P L = Lateral P = Rear				
Weight gr. 120 Switch 2 positions stable				Weight gr. 120 Switch 2 positions stable		
Operational characteristics	Fluid	Max working pressure	Operating Temperature	Flow rate at 6 bar with $\Delta p=1$	Orifice size	Working port size
	Filtered and lubricated air or not	10 bar	Min. -5°C Max. +50°C	90 NI/min	mm 2,5	ø4 tube



1


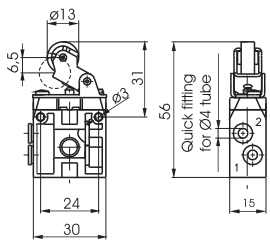

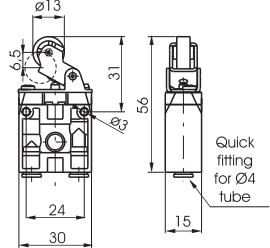

<p>Key switch</p> <p><i>Lateral connections</i></p>  	<p>2/2 3/2</p> <p>Ordering code 104.T.6.28.P.F</p> <p>TYPE T 22 = 2 ways 32 = 3 ways CONNECTION TYPE P L = Lateral P = Rear FUNCTION F A = Norm. open N.O. C = Norm. closed N.C.</p>	<p>Key switch</p> <p><i>Rear connections</i></p>  				
<p>Weight gr. 100 Switch 2 positions stable</p> 		<p>Weight gr. 100 Switch 2 positions stable</p>				
Operational characteristics	Fluid Filtered and lubricated air or not	Max working pressure 10 bar	Operating Temperature Min. -5°C Max. +50°C	Flow rate at 6 bar with Δp=1 90 NI/min	Orifice size mm 2,5	Working port size ø4 tube


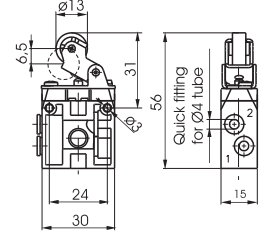

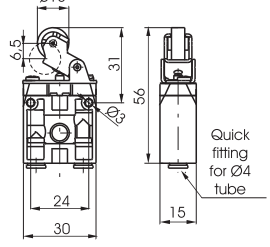

<p>Key switch</p> <p><i>Lateral connections</i></p>  	<p>5/2</p> <p>Ordering code 104.52.6.28.P</p> <p>CONNECTION TYPE P L = Lateral P = Rear</p>	<p>Key switch</p> <p><i>Rear connections</i></p>  				
<p>Weight gr. 155 Switch 2 positions stable</p> 		<p>Weight gr. 155 Switch 2 positions stable</p>				
Operational characteristics	Fluid Filtered and lubricated air or not	Max working pressure 10 bar	Operating Temperature Min. -5°C Max. +50°C	Flow rate at 6 bar with Δp=1 90 NI/min	Orifice size mm 2,5	Working port size ø4 tube


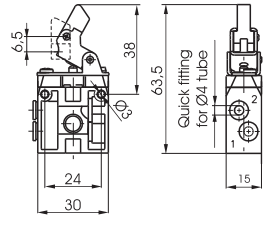

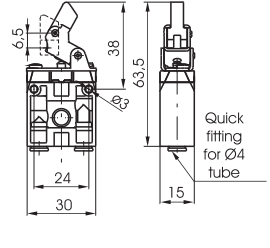

<p>Key switch</p> <p><i>Lateral connections</i></p>  	<p>5/3</p> <p>Ordering code 104.53.F.6.28.S.P</p> <p>FUNCTION F 32 = Open centres 33 = Pressured centres SWITCH POSITIONS S 0 = 3 pos. instable 1 = 3 pos. stable CONNECTION TYPE P L = Lateral P = Rear</p>	<p>Key switch</p> <p><i>Rear connections</i></p>  				
<p>Weight gr. 155 Switch 2 positions stable</p> 		<p>Weight gr. 155 Switch 2 positions stable</p>				
Operational characteristics	Fluid Filtered and lubricated air or not	Max working pressure 10 bar	Operating Temperature Min. -5°C Max. +50°C	Flow rate at 6 bar with Δp=1 90 NI/min	Orifice size mm 2,5	Working port size ø4 tube



1

Lever roller - Spring	2/2 3/2	Ordering code 104.T.2.1.P.F	2/2 3/2	Lever roller - Spring						
<i>Lateral connections</i>				<i>Rear connections</i>						
 		<table border="1" style="width:100%; border-collapse: collapse;"> <tr><td>TYPE</td></tr> <tr><td>T 22 = 2 ways 32 = 3 ways</td></tr> <tr><td>CONNECTION TYPE</td></tr> <tr><td>P L = Lateral P = Rear</td></tr> <tr><td>FUNCTION</td></tr> <tr><td>F A = Norm. open N.O. C = Norm. closed N.C.</td></tr> </table>	TYPE	T 22 = 2 ways 32 = 3 ways	CONNECTION TYPE	P L = Lateral P = Rear	FUNCTION	F A = Norm. open N.O. C = Norm. closed N.C.		 
TYPE										
T 22 = 2 ways 32 = 3 ways										
CONNECTION TYPE										
P L = Lateral P = Rear										
FUNCTION										
F A = Norm. open N.O. C = Norm. closed N.C.										
Weight gr. 31 Operating force 9N				Weight gr. 31 Operating force 9N						
Operational characteristics	Fluid	Max working pressure	Operating Temperature	Flow rate at 6 bar with Δp=1	Orifice size	Working port size				
	Filtered and lubricated air or not	10 bar	Min. -5°C Max. +50°C	90 NI/min	mm 2,5	ø4 tube				

Lever roller ball bearing - Spring	2/2 3/2	Ordering code 104.T.2.1/1.P.F	2/2 3/2	Lever roller ball bearing - Spring						
<i>Lateral connections</i>				<i>Lateral connections</i>						
 		<table border="1" style="width:100%; border-collapse: collapse;"> <tr><td>TYPE</td></tr> <tr><td>T 22 = 2 ways 32 = 3 ways</td></tr> <tr><td>CONNECTION TYPE</td></tr> <tr><td>P L = Lateral P = Rear</td></tr> <tr><td>FUNCTION</td></tr> <tr><td>F A = Norm. open N.O. C = Norm. closed N.C.</td></tr> </table>	TYPE	T 22 = 2 ways 32 = 3 ways	CONNECTION TYPE	P L = Lateral P = Rear	FUNCTION	F A = Norm. open N.O. C = Norm. closed N.C.		 
TYPE										
T 22 = 2 ways 32 = 3 ways										
CONNECTION TYPE										
P L = Lateral P = Rear										
FUNCTION										
F A = Norm. open N.O. C = Norm. closed N.C.										
Weight gr. 46 Operating force 9N				Weight gr. 46 Operating force 9N						
Operational characteristics	Fluid	Max working pressure	Operating Temperature	Flow rate at 6 bar with Δp=1	Orifice size	Working port size				
	Filtered and lubricated air or not	10 bar	Min. -5°C Max. +50°C	90 NI/min	mm 2,5	ø4 tube				

Lever unidirectional - Spring	2/2 3/2	Ordering code 104.T.3.1.P.F	2/2 3/2	Lever unidirectional - Spring						
<i>Lateral connections</i>				<i>Lateral connections</i>						
 		<table border="1" style="width:100%; border-collapse: collapse;"> <tr><td>TYPE</td></tr> <tr><td>T 22 = 2 ways 32 = 3 ways</td></tr> <tr><td>CONNECTION TYPE</td></tr> <tr><td>P L = Lateral P = Rear</td></tr> <tr><td>FUNCTION</td></tr> <tr><td>F A = Norm. open N.O. C = Norm. closed N.C.</td></tr> </table>	TYPE	T 22 = 2 ways 32 = 3 ways	CONNECTION TYPE	P L = Lateral P = Rear	FUNCTION	F A = Norm. open N.O. C = Norm. closed N.C.		 
TYPE										
T 22 = 2 ways 32 = 3 ways										
CONNECTION TYPE										
P L = Lateral P = Rear										
FUNCTION										
F A = Norm. open N.O. C = Norm. closed N.C.										
Weight gr. 31 Operating force 9N				Weight gr. 31 Operating force 9N						
Operational characteristics	Fluid	Max working pressure	Operating Temperature	Flow rate at 6 bar with Δp=1	Orifice size	Working port size				
	Filtered and lubricated air or not	10 bar	Min. -5°C Max. +50°C	90 NI/min	mm 2,5	ø4 tube				

1

Complete lever roller operator

Ordering code	
104.2.1	

Complete lever roller ball bearing operator

Ordering code	
104.2.1/1	

Complete lever unidirectional

Ordering code	
104.3.1	

Fixing plate

Ordering code	
104.00	
(Complete with fixing screws)	

Push button

Ordering code				
104.6.22/ⓐ				
<table border="1"> <tr> <td>BUTTON COLOR</td> </tr> <tr> <td>1 = Red</td> </tr> <tr> <td>2 = Black</td> </tr> <tr> <td>3 = Green</td> </tr> </table>		BUTTON COLOR	1 = Red	2 = Black
BUTTON COLOR				
1 = Red				
2 = Black				
3 = Green				

Raised Push button

Ordering code				
104.6.23/ⓐ				
<table border="1"> <tr> <td>BUTTON COLOR</td> </tr> <tr> <td>1 = Red</td> </tr> <tr> <td>2 = Black</td> </tr> <tr> <td>3 = Green</td> </tr> </table>		BUTTON COLOR	1 = Red	2 = Black
BUTTON COLOR				
1 = Red				
2 = Black				
3 = Green				

Push button 2 positions

Ordering code	
104.6.31	
(step - step)	

Palm button 2 position

Ordering code	
104.6.25	
Emergency - Rotate to unlock	

Switch - short lever

Ordering code	
104.6.30	
Switch 2 positions stable	

Switch - short lever

Ordering code			
104.6.30.Ⓢ			
<table border="1"> <tr> <td>SWITCH POSITIONS</td> </tr> <tr> <td>0 = 3 pos. instable</td> </tr> <tr> <td>1 = 3 pos. stable</td> </tr> </table>		SWITCH POSITIONS	0 = 3 pos. instable
SWITCH POSITIONS			
0 = 3 pos. instable			
1 = 3 pos. stable			

Switch - long lever







Ordering code	
104.6.27	
Switch 2 positions stable	

Switch - long lever

Ordering code			
104.6.27.Ⓢ			
<table border="1"> <tr> <td>SWITCH POSITIONS</td> </tr> <tr> <td>0 = 3 pos. instable</td> </tr> <tr> <td>1 = 3 pos. stable</td> </tr> </table>		SWITCH POSITIONS	0 = 3 pos. instable
SWITCH POSITIONS			
0 = 3 pos. instable			
1 = 3 pos. stable			



1

Key switch			Key switch	
Ordering code		Ordering code		
104.6.28		104.6.28.S		
Switch 2 positions stable		SWITCH POSITIONS S 0 = 3 pos. instable 1 = 3 pos. stable Switch 3 positions		
Joystick selector switch			Complete Pneumatic Operator	
Ordering code		Ordering code		
104.6.39.S		104.11		
SWITCH POSITIONS S 0 = 3 pos. instable				
Contact electric element			Push button protection cover	
Ordering code		Ordering code		
104.F		104.02		
FUNCTION F NA = Norm. open N.O. NC = Norm. closed N.C.				