

1

Lever lateral - Spring

3/2

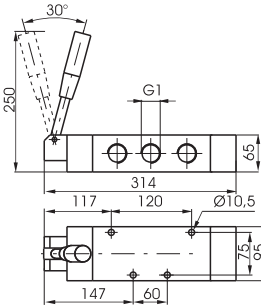
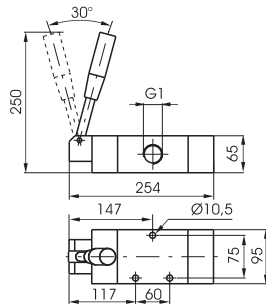
Ordering code

211.1.9.1

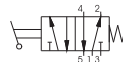
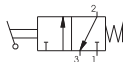
TYPE  
32 = 3 ways  
52 = 5 ways

5/2

Lever lateral - Spring



Weight gr. 4.300



Weight gr. 4900

Operational characteristics	Fluid	Max working pressure	Operating Temperature		Flow rate at 6 bar with $\Delta p=1$	Orifice size	Working port size
	Filtered and lubricated air	10 bar	Min. -5°C	Max. +70°C	6500 NI/min	mm 20	G 1"

Lever lateral 2 positions

3/2

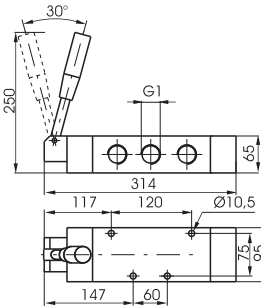
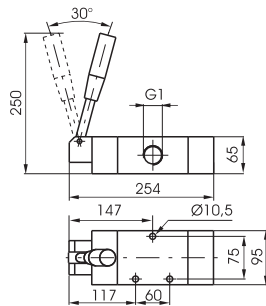
Ordering code

211.1.9

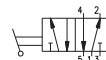
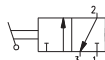
TYPE  
32 = 3 ways  
52 = 5 ways

5/2

Lever lateral 2 positions



Weight gr. 4.300



Weight gr. 4900

Operational characteristics	Fluid	Max working pressure	Operating Temperature		Flow rate at 6 bar with $\Delta p=1$	Orifice size	Working port size
	Filtered and lubricated air	10 bar	Min. -5°C	Max. +70°C	6500 NI/min	mm 20	G 1"

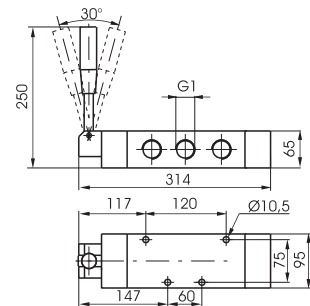
Lever lateral - Spring 3 positions

5/3

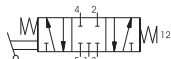
Ordering code

211.53.F.9.1

FUNCTION  
31 = Closed centres  
32 = Open centres



Weight gr. 5.000

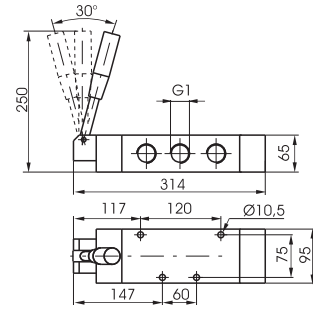


Operational characteristics	Fluid	Max working pressure	Operating Temperature		Flow rate at 6 bar with $\Delta p=1$	Orifice size	Working port size
	Filtered and lubricated air	10 bar	Min. -5°C	Max. +70°C	6500 NI/min	mm 20	G 1"

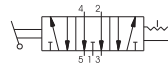
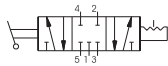
**Lever lateral - 3 positions**

5/3

Ordering code
<b>211.53.F.9</b>
FUNCTION
F 31 = Closed centres
32 = Open centres



Weight gr. 5.000



Operational characteristics	Fluid	Max working pressure	Operating Temperature		Flow rate at 6 bar with $\Delta p=1$	Orifice size	Working port size
	Filtered and lubricated air	10 bar	Min. -5°C	Max. +70°C	6500 Nl/min	mm 20	G 1"

1