
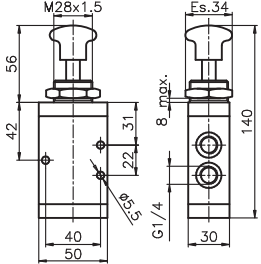
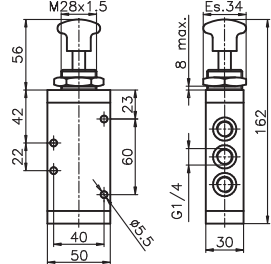

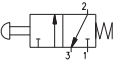



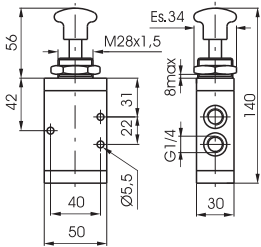
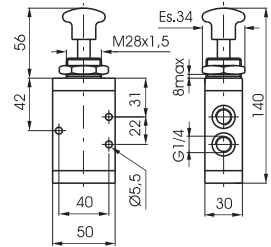

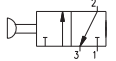
<b>Tappet panel - Spring</b>	3/2	<b>Ordering code</b> <b>224.1.1</b>	5/2	<b>Tappet panel - Spring</b>			
<div style="display: flex; justify-content: space-around; align-items: center;"> <div style="text-align: center;"> <p>M28x1 Es. 34 8 max. G1/4 114 30 42 30 10 42 22 31 40 50 ø5.5</p> </div> <div style="text-align: center;"> <p>M28x1,5 Es. 34 8 max. G1/4 1,36 30 10 30 22 42 22 60 40 50 ø5.5</p> </div> </div>		<table border="1" style="width: 100%; border-collapse: collapse;"> <tr> <td colspan="2"><b>TYPE</b></td> </tr> <tr> <td style="width: 50%;">32 = 3 ways</td> <td style="width: 50%;">52 = 5 ways</td> </tr> </table>		<b>TYPE</b>		32 = 3 ways	52 = 5 ways
		<b>TYPE</b>					
32 = 3 ways	52 = 5 ways						
Weight gr. 370 Operating force 71,5N				Weight gr. 455 Operating force 71,5N			
<b>Operational characteristics</b>		Fluid	Max working pressure	Operating Temperature	Flow rate at 6 bar with Δp=1	Orifice size	Working port size
		Filtered and lubricated air	10 bar	Min. -5°C Max. +70°C	1360 Nl/min	mm 8	G 1/4"


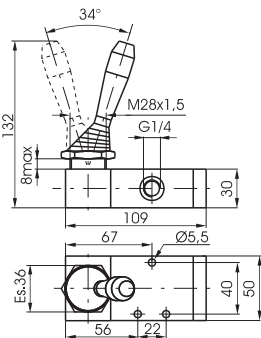
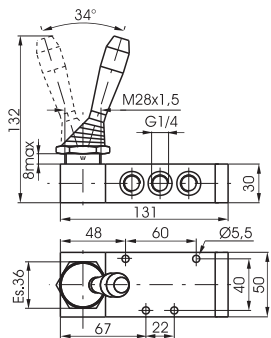

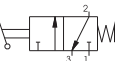
<b>Lever roller - Spring</b>	3/2	<b>Ordering code</b> <b>224.2.1</b>	5/2	<b>Lever roller - Spring</b>			
<div style="display: flex; justify-content: space-around; align-items: center;"> <div style="text-align: center;"> <p>75 ø22 8 81 20 42 22 40 50 ø5.5 G1/4 123 30</p> </div> <div style="text-align: center;"> <p>75 ø22 8 81 20 42 22 60 40 50 ø5.5 G1/4 1,45 30</p> </div> </div>		<table border="1" style="width: 100%; border-collapse: collapse;"> <tr> <td colspan="2"><b>TYPE</b></td> </tr> <tr> <td style="width: 50%;">32 = 3 ways</td> <td style="width: 50%;">52 = 5 ways</td> </tr> </table>		<b>TYPE</b>		32 = 3 ways	52 = 5 ways
		<b>TYPE</b>					
32 = 3 ways	52 = 5 ways						
Weight gr. 510 Operating force 35N				Weight gr. 595 Operating force 35N			
<b>Operational characteristics</b>		Fluid	Max working pressure	Operating Temperature	Flow rate at 6 bar with Δp=1	Orifice size	Working port size
		Filtered and lubricated air	10 bar	Min. -5°C Max. +70°C	1360 Nl/min	mm 8	G 1/4"


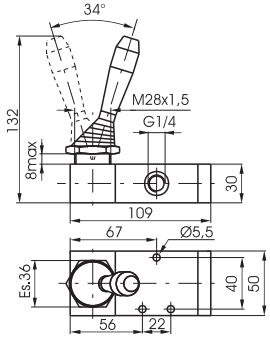

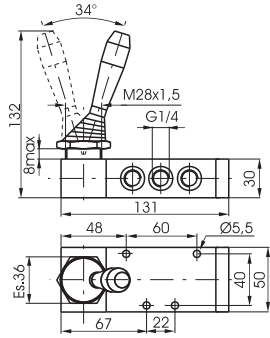
<b>Lever roller unidirectional - Spring</b>	3/2	<b>Ordering code</b> <b>224.3.1</b>	5/2	<b>Lever roller unidirectional - Spring</b>			
<div style="display: flex; justify-content: space-around; align-items: center;"> <div style="text-align: center;"> <p>71 ø22 8 97 20 42 22 40 50 ø5.5 G1/4 1,39 30</p> </div> <div style="text-align: center;"> <p>71 ø22 8 97 20 42 22 60 40 50 ø5.5 G1/4 1,61 30</p> </div> </div>		<table border="1" style="width: 100%; border-collapse: collapse;"> <tr> <td colspan="2"><b>TYPE</b></td> </tr> <tr> <td style="width: 50%;">32 = 3 ways</td> <td style="width: 50%;">52 = 5 ways</td> </tr> </table>		<b>TYPE</b>		32 = 3 ways	52 = 5 ways
		<b>TYPE</b>					
32 = 3 ways	52 = 5 ways						
Weight gr. 525 Operating force 35N				Weight gr. 610 Operating force 35N			
<b>Operational characteristics</b>		Fluid	Max working pressure	Operating Temperature	Flow rate at 6 bar with Δp=1	Orifice size	Working port size
		Filtered and lubricated air	10 bar	Min. -5°C Max. +70°C	1360 Nl/min	mm 8	G 1/4"

1


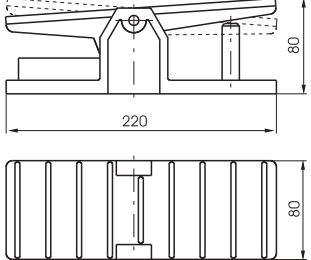
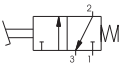
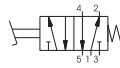
Push button - Spring		3/2	Ordering code	5/2	Push button - Spring		
			<b>224.1.8.1</b> TYPE 32 = 3 ways 52 = 5 ways			Weight gr. 395 Operating force 71,5N	
							
Operational characteristics	Fluid	Max working pressure	Operating Temperature		Flow rate at 6 bar with $\Delta p=1$	Orifice size	Working port size
	Filtered and lubricated air	10 bar	Min. -5°C Max. +70°C		1360 NI/min	mm 8	G 1/4"


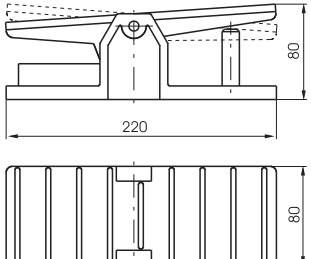
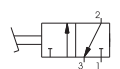
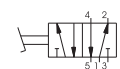
Push button 2 positions		3/2	Ordering code	5/2	Push button 2 positions		
			<b>224.1.8</b> TYPE 32 = 3 ways 52 = 5 ways			Weight gr. 385 Operating force 105N	
							
Operational characteristics	Fluid	Max working pressure	Operating Temperature		Flow rate at 6 bar with $\Delta p=1$	Orifice size	Working port size
	Filtered and lubricated air	10 bar	Min. -5°C Max. +70°C		1360 NI/min	mm 8	G 1/4"

Lever lateral - Spring		3/2	Ordering code	5/2	Lever lateral - Spring		
			<b>224.1.9.1/C</b> TYPE 32 = 3 ways 52 = 5 ways BUTTON COLOR 1 = Red 2 = Black 3 = Green			Weight gr. 520	
							
Operational characteristics	Fluid	Max working pressure	Operating Temperature		Flow rate at 6 bar with $\Delta p=1$	Orifice size	Working port size
	Filtered and lubricated air	10 bar	Min. -5°C Max. +70°C		1360 NI/min	mm 8	G 1/4"

<b>Lever lateral 2 positions</b>	3/2	Ordering code <b>224.1.9/C</b>	5/2	<b>Lever lateral 2 positions</b>
 		<p><b>T</b> TYPE 32 = 3 ways 52 = 5 ways</p> <p><b>C</b> BUTTON COLOR 1 = Red 2 = Black 3 = Green</p>		 
Weight gr. 510				Weight gr. 595

Operational characteristics	Fluid	Max working pressure	Operating Temperature		Flow rate at 6 bar with Δp=1	Orifice size	Working port size
	Filtered and lubricated air	10 bar	Min. -5°C	Max. +70°C	1360 NI/min	mm 8	G 1/4"

<b>Pedal aluminium - Spring</b>							
Ordering code <b>224.1.10.1</b>							
<b>T</b> TYPE 32 = 3 ways 52 = 5 ways							
Weight gr. 1.070 (3/2) Weight gr. 1.155 (5/2)							
Operational characteristics	Fluid	Max working pressure	Operating Temperature		Flow rate at 6 bar with Δp=1	Orifice size	Working port size
	Filtered and lubricated air	10 bar	Min. -5°C	Max. +70°C	1360 NI/min	mm 8	G 1/4"

<b>Pedal aluminium 2 positions</b>							
Ordering code <b>224.1.10</b>							
<b>T</b> TYPE 32 = 3 ways 52 = 5 ways							
Weight gr. 1.060 (3/2) Weight gr. 1.145 (5/2)							
Operational characteristics	Fluid	Max working pressure	Operating Temperature		Flow rate at 6 bar with Δp=1	Orifice size	Working port size
	Filtered and lubricated air	10 bar	Min. -5°C	Max. +70°C	1360 NI/min	mm 8	G 1/4"

**Pedal protected - Spring**

Ordering code

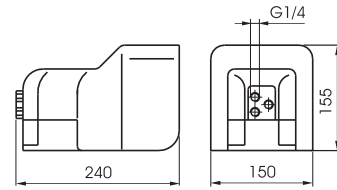
**214.10.10.V**

TYPE

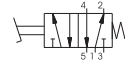
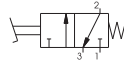
- 32 = 3 ways
- 52 = 5 ways

VERSION

- 1/1 = Standard version
- 2/1 = without safety device



Weight gr. 1.730



**Operational characteristics**

Operational characteristics	Fluid	Max working pressure	Operating Temperature		Flow rate at 6 bar with $\Delta p=1$	Orifice size	Working port size
	Filtered and lubricated air	10 bar	Min. -5°C	Max. +70°C	1360 NI/min	mm 8	G 1/4"

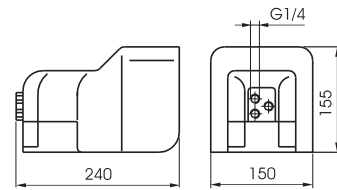
**Pedal protected 2 positions**

Ordering code

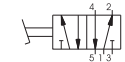
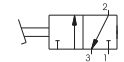
**214.10.10/1**

TYPE

- 32 = 3 ways
- 52 = 5 ways



Weight gr. 1.730



**Operational characteristics**

Operational characteristics	Fluid	Max working pressure	Operating Temperature		Flow rate at 6 bar with $\Delta p=1$	Orifice size	Working port size
	Filtered and lubricated air	10 bar	Min. -5°C	Max. +70°C	1360 NI/min	mm 8	G 1/4"

**Lever lateral spring 3 positions**

Ordering code

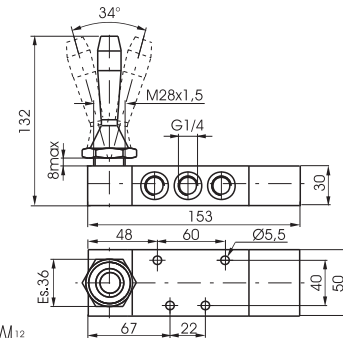
**224.53.F.9.1/C**

FUNCTION

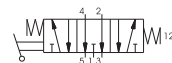
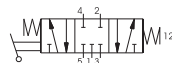
- 31 = Closed centres
- 32 = Open centres

BUTTON COLOR

- 1 = Red
- 2 = Black
- 3 = Green



Weight gr. 745



**Operational characteristics**

Operational characteristics	Fluid	Max working pressure	Operating Temperature		Flow rate at 6 bar with $\Delta p=1$	Orifice size	Working port size
	Filtered and lubricated air	10 bar	Min. -5°C	Max. +70°C	1280 NI/min	mm 8	G 1/4"

**Lever lateral 3 positions**

Ordering code

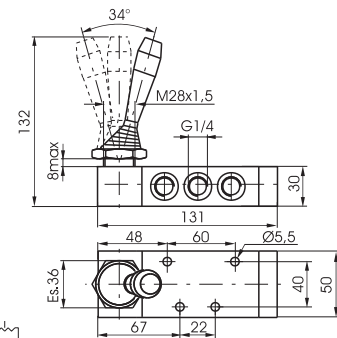
**224.53.F.9/C**

FUNCTION

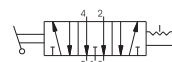
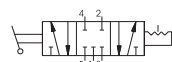
- 31 = Closed centres
- 32 = Open centres

BUTTON COLOR

- 1 = Red
- 2 = Black
- 3 = Green



Weight gr. 605



**Operational characteristics**

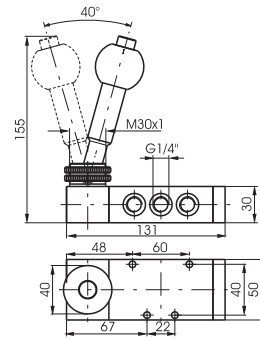
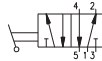
Operational characteristics	Fluid	Max working pressure	Operating Temperature		Flow rate at 6 bar with $\Delta p=1$	Orifice size	Working port size
	Filtered and lubricated air	10 bar	Min. -5°C	Max. +70°C	1280 NI/min	mm 8	G 1/4"

**Lever lateral with locking device - 2 positions**

Ordering code
<b>224.52.9.2</b>



Weight gr. 825



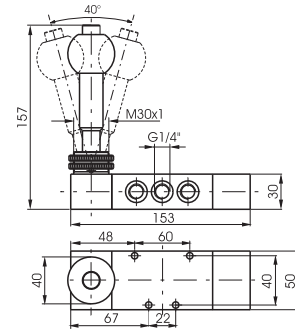
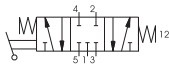
Operational characteristics	Fluid	Max working pressure	Operating Temperature		Flow rate at 6 bar with $\Delta p=1$	Orifice size	Working port size
	Filtered and lubricated air	10 bar	Min. -5°C	Max. +70°C	1020 NI/min	mm 8	G 1/4"

**Lever lateral with locking device - Spring 3 positions**

Ordering code
<b>224.53.F.9.2</b>
FUNCTION
<b>F</b> 31 = Closed centres
32 = Open centres



Weight gr. 965



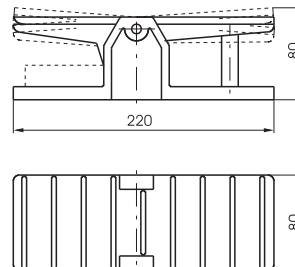
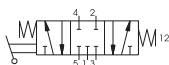
Operational characteristics	Fluid	Max working pressure	Operating Temperature		Flow rate at 6 bar with $\Delta p=1$	Orifice size	Working port size
	Filtered and lubricated air	10 bar	Min. -5°C	Max. +70°C	1020 NI/min	mm 8	G 1/4"

**Pedal - Spring 3 positions**

Ordering code
<b>224.53.F.10.1</b>
FUNCTION
<b>F</b> 31 = Closed centres
32 = Open centres



Weight gr. 1.285



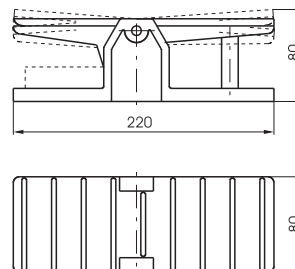
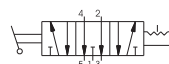
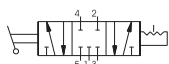
Operational characteristics	Fluid	Max working pressure	Operating Temperature		Flow rate at 6 bar with $\Delta p=1$	Orifice size	Working port size
	Filtered and lubricated air	10 bar	Min. -5°C	Max. +70°C	1280 NI/min	mm 8	G 1/4"

**Pedal 3 positions**

Ordering code
<b>224.53.F.10</b>
FUNCTION
<b>F</b> 31 = Closed centres
32 = Open centres



Weight gr. 1.145



Operational characteristics	Fluid	Max working pressure	Operating Temperature		Flow rate at 6 bar with $\Delta p=1$	Orifice size	Working port size
	Filtered and lubricated air	10 bar	Min. -5°C	Max. +70°C	1280 NI/min	mm 8	G 1/4"

1

Push button - Spring

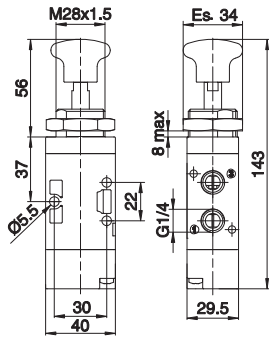
3/2

Ordering code

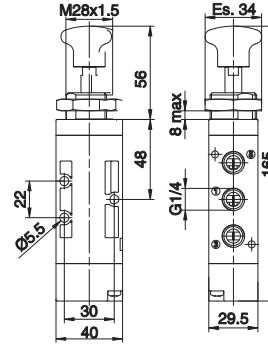
T224.1.8.1

5/2

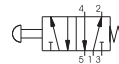
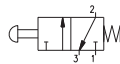
Push button - Spring



- T TYPE
- 32 = 3 ways
- 52 = 5 ways



Weight gr. 170  
Operating force 50N



Weight gr. 200  
Operating force 50N

Operational characteristics	Fluid	Max working pressure	Operating temperature		Flow rate at 6 bar with $\Delta p=1$	$\varnothing$ orifice size	Working port size
	Filtered and lubricated air	10 bar	Min. -5°C	Max. +50°C	1050 NI/min	mm 8,5	G 1/4"

Push button 2 positions

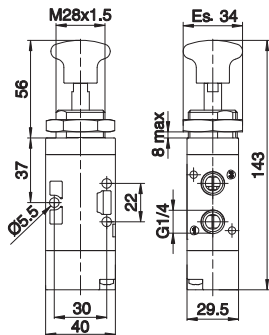
3/2

Ordering code

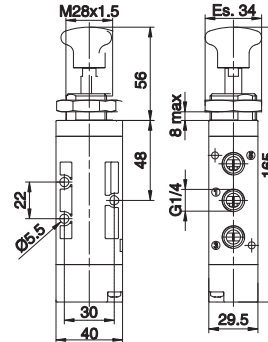
T224.1.8

5/2

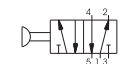
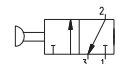
Push button 2 positions



- T TYPE
- 32 = 3 ways
- 52 = 5 ways



Weight gr. 170  
Operating force 13N



Weight gr. 200  
Operating force 13N

Operational characteristics	Fluid	Max working pressure	Operating temperature		Flow rate at 6 bar with $\Delta p=1$	$\varnothing$ orifice size	Working port size
	Filtered and lubricated air	10 bar	Min. -5°C	Max. +50°C	1050 NI/min	mm 8,5	G 1/4"

Lever lateral - Spring

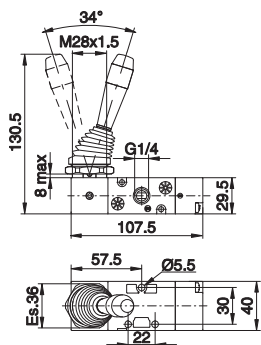
3/2

Ordering code

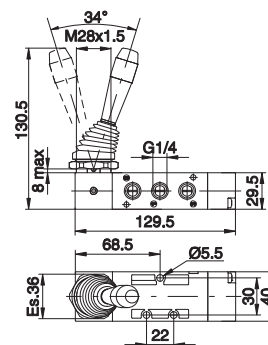
T224.1.9.1/C

5/2

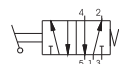
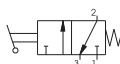
Lever lateral - Spring



- T TYPE
- 32 = 3 ways
- 52 = 5 ways
- LEVER COLOR
- C 1 = Red
- 2 = Black
- 3 = Green


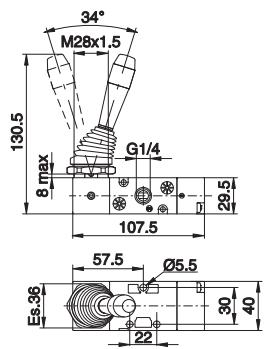
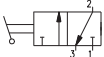

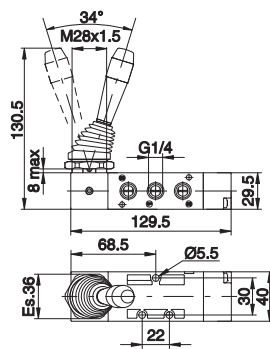
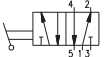



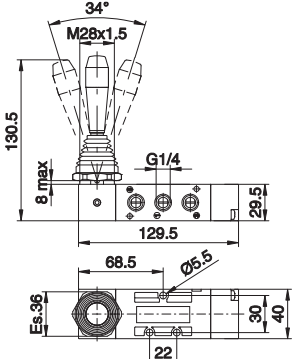
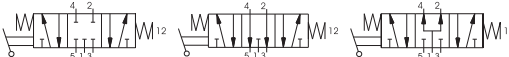
Weight gr. 220


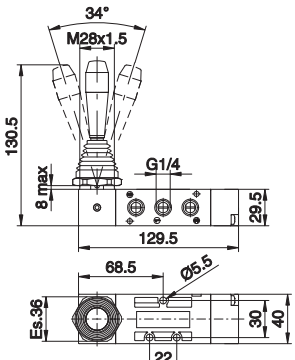
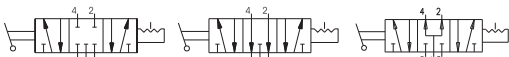


Weight gr. 250

Operational characteristics	Fluid	Max working pressure	Operating temperature		Flow rate at 6 bar with $\Delta p=1$	$\varnothing$ orifice size	Working port size
	Filtered and lubricated air	10 bar	Min. -5°C	Max. +50°C	1050 NI/min	mm 8,5	G 1/4"

Lever lateral 2 positions		3/2	Ordering code	5/2	Lever lateral 2 positions		
 			<b>T224.1.9/C</b>	 			
			TYPE 1 = 3 ways 52 = 5 ways LEVER COLOR 1 = Red 2 = Black 3 = Green				
Weight gr. 220					Weight gr. 250		
<b>Operational characteristics</b>	Fluid	Max working pressure	Operating temperature		Flow rate at 6 bar with $\Delta p=1$	$\varnothing$ orifice size	Working port size
	Filtered and lubricated air	10 bar	Min. -5°C	Max. +50°C	1050 NI/min	mm 8,5	G 1/4"

Lever lateral spring centre - 3 positions		5/3					
Ordering code <b>T224.53.F.9.1/C</b>		 					
FUNCTION 31 = Closed centres 32 = Open centres 33 = Pressured centres LEVER COLOR 1 = Red 2 = Black 3 = Green							
Weight gr. 270							
<b>Operational characteristics</b>	Fluid	Max working pressure	Operating temperature		Flow rate at 6 bar with $\Delta p=1$	$\varnothing$ orifice size	Working port size
	Filtered and lubricated air	10 bar	Min. -5°C	Max. +50°C	900 NI/min	mm 8,5	G 1/4"

Lever lateral - 3 positions detent		5/3					
Ordering code <b>T224.53.F.9/C</b>		 					
FUNCTION 31 = Closed centres 32 = Open centres 33 = Pressured centres LEVER COLOR 1 = Red 2 = Black 3 = Green							
Weight gr. 270							
<b>Operational characteristics</b>	Fluid	Max working pressure	Operating temperature		Flow rate at 6 bar with $\Delta p=1$	$\varnothing$ orifice size	Working port size
	Filtered and lubricated air	10 bar	Min. -5°C	Max. +50°C	900 NI/min	mm 8,5	G 1/4"