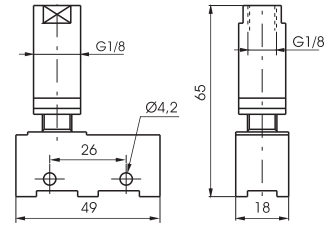


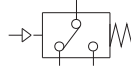
1

**Pressure switch G 1/8" - screw connections**

Ordering code
<b>900.18.1-P</b>
PRESSURE
1 = 0,5 ÷ 1 bar
4 = 3,5 ÷ 4 bar



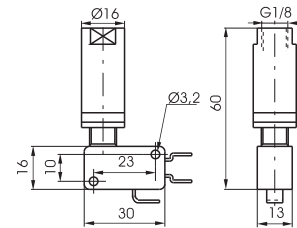
Weight gr. 75



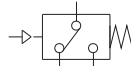
Operational characteristics	Fluid	Max working pressure	Operating Temperature		Flow rate microswitch	Working pilot port size
	Filtered and lubricated air	10 bar	Min. -5°C	Max. +70°C	13 (3) A - 220V~	G 1/8"

**Pressure switch G 1/8" - spade connections**

Ordering code
<b>900.18.1/P</b>
PRESSURE
1-1 = 0,5 ÷ 1 bar
1-4 = 3,5 ÷ 4 bar



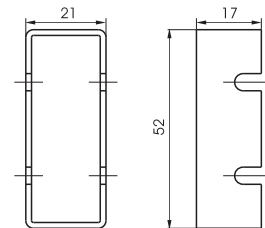
Weight gr. 60



Operational characteristics	Fluid	Max working pressure	Operating Temperature		Flow rate microswitch	Working pilot port size
	Filtered and lubricated air	10 bar	Min. -5°C	Max. +70°C	16 (5) A - 220V~	G 1/8"

**Switch protection**

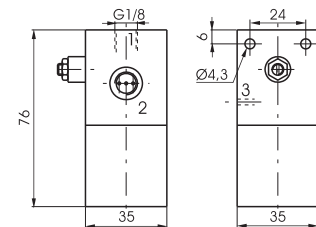
Ordering code
<b>900.18.0</b>



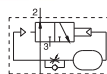
Weight gr. 6

**Impulse generator**

Ordering code
<b>900.18.2N</b>



Weight gr. 235



Operational characteristics	Fluid	Max working pressure	Operating Temperature		Orifice size
	Filtered and lubricated air	10 bar	Min. -5°C	Max. +70°C	mm 2

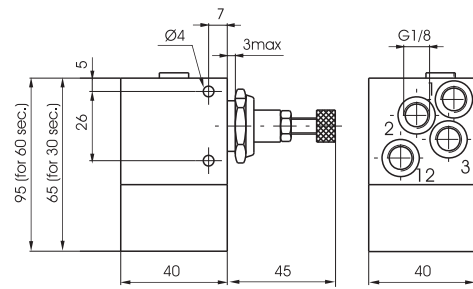


1

**Pneumatic timer N.C. - G 1/8"**

Ordering code  
**900.18.T**

TIME  
**T** 3 = 0 ÷ 30 sec.  
 3-60 = 0 ÷ 60 sec.



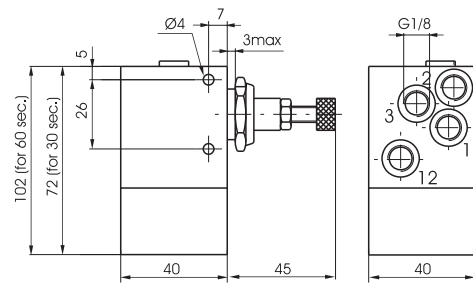
Weight gr. 290 (30 sec.)  
 Weight gr. 350 (60 sec.)

<b>Operational characteristics</b>	Fluid	Min / Max working pressure	Operating Temperature		Flow rate at 6 bar with $\Delta p=1$	Orifice size
	Filtered and lubricated air	3 ÷ 10 bar	Min. -5°C	Max. +70°C	130 NI/min	mm 2,5

**Pneumatic timer N.O. - G 1/8"**

Ordering code  
**900.18.T**

TIME  
**T** 4 = 0 ÷ 30 sec.  
 4-60 = 0 ÷ 60 sec.

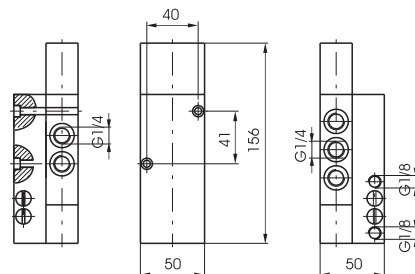


Weight gr. 320 (30 sec.)  
 Weight gr. 380 (60 sec.)

<b>Operational characteristics</b>	Fluid	Min / Max working pressure	Operating Temperature		Flow rate at 6 bar with $\Delta p=1$	Orifice size
	Filtered and lubricated air	4 ÷ 10 bar	Min. -5°C	Max. +70°C	130 NI/min	mm 2,5

**Two hands safety valve G 1/4"**

Ordering code  
**900.52.1.1**



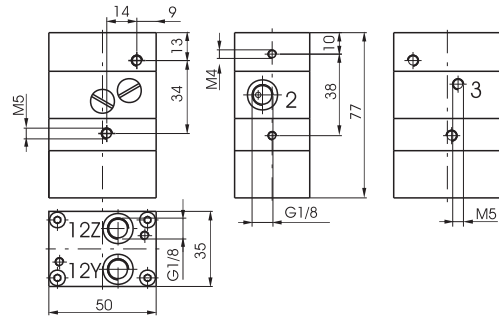
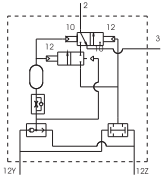
Weight gr. 780

<b>Operational characteristics</b>	Fluid	Max working pressure	Operating Temperature		Flow rate at 6 bar with $\Delta p=1$	Orifice size	Working port size	Working pilot size
	Filtered and lubricated air	10 bar	Min. -5°C	Max. +70°C	1030 NI/min	mm 7	G 1/4"	G 1/8"

**Two hands safety valve III A class certification (EN 574 standard)**

Ordering code

**900.18.9**



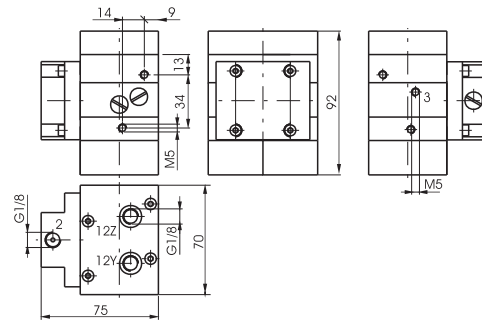
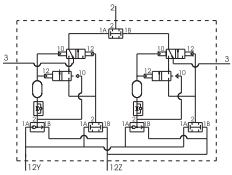
Weight gr. 340

Operational characteristics	Fluid	Min / Max working	Operating Temperature		Flow rate at 6 bar with $\Delta p=1$	Orifice size	Working port size	Working pilot size
	Filtered and lubricated air	3 ÷ 8 bar	Min. -5°C	Max. +70°C				
					40 NI/min	mm 2,5	G 1/8"	G 1/8"

**Two hands safety valve III B class certification (EN 574 standard)**

Ordering code

**900.18.10**



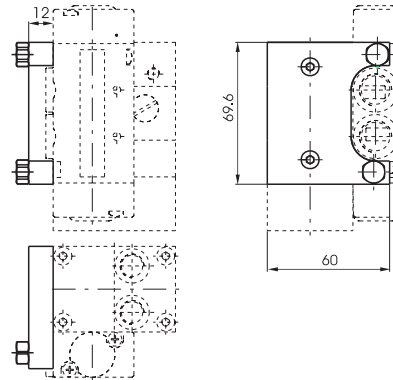
Weight gr. 980

Operational characteristics	Fluid	Min / Max working	Operating Temperature		Flow rate at 6 bar with $\Delta p=1$	Orifice size	Working port size	Working pilot size
	Filtered and lubricated air	3 ÷ 8 bar	Min. -5°C	Max. +70°C				
					40 NI/min	mm 2,5	G 1/8"	G 1/8"

**Power valve adaptor (Series 2400)**

Ordering code

**900.18.11**



Weight gr. 75

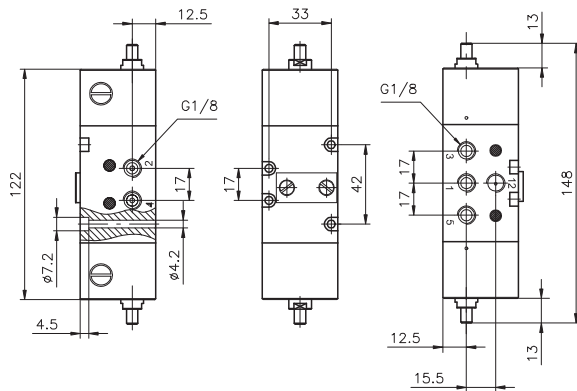


**Flip-flop valve G 1/8" - Pneumatic command**

Ordering code

**900.52.1.3**

L max. for tube Ø2≤1m



Weight gr. 550

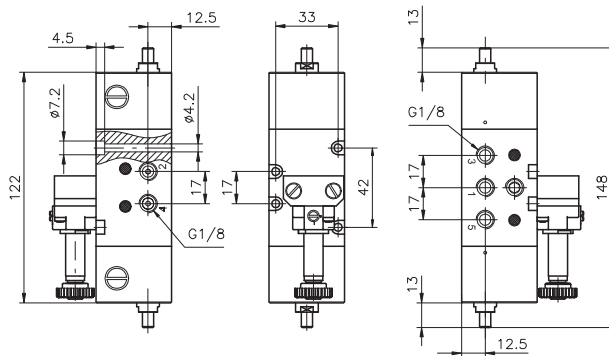
Attention: pressure of signal "12" must be the same or higher than device inlet pressure. The maximum distance between the pilot valve and the device must not exceed 1Mtr. ( see pneumatic scheme). Should be necessary to work at a greater distance it is advisable to use a pneumatic-spring shut-off valve positioned at the recommended distance.

Operational characteristics	Fluid	Max working pressure	Operating Temperature		Flow rate at 6 bar with Δp=1	Orifice size	Working port size
	Filtered and lubricated air	10 bar	Min. -5°C	Max. +70°C	540 NI/min	mm 6	G 1/8"

**Flip-flop valve - Electric command with M2 mechanic**

Ordering code

**900.52.1.4**



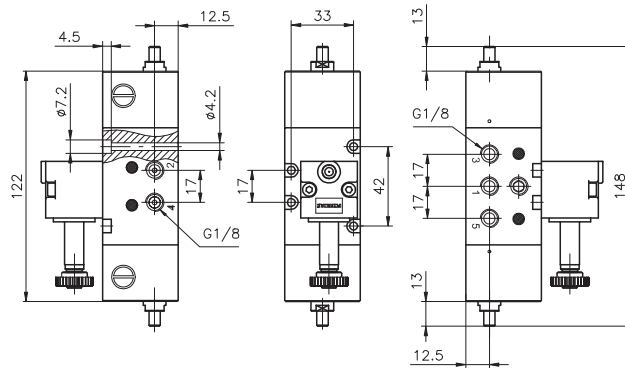
Weight gr. 660

Operational characteristics	Fluid	Max working pressure	Operating Temperature		Flow rate at 6 bar with Δp=1	Orifice size	Working port size
	Filtered and lubricated air	10 bar	Min. -5°C	Max. +70°C	540 NI/min	mm 6	G 1/8"

**Flip-flop valve - Electric command with M3P CNOMO**

Ordering code

**900.52.1.5**



Weight gr. 6050

Operational characteristics	Fluid	Max working pressure	Operating Temperature		Flow rate at 6 bar with Δp=1	Orifice size	Working port size
	Filtered and lubricated air	10 bar	Min. -5°C	Max. +70°C	540 NI/min	mm 6	G 1/8"

1

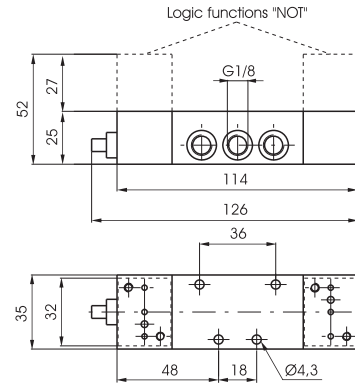
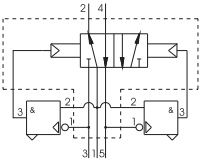
**Oscillator valve G 1/8"**

Ordering code

**900.52.N**

FUNCTION

- N = without logic functions NOT
- 5C = with logic functions NOT



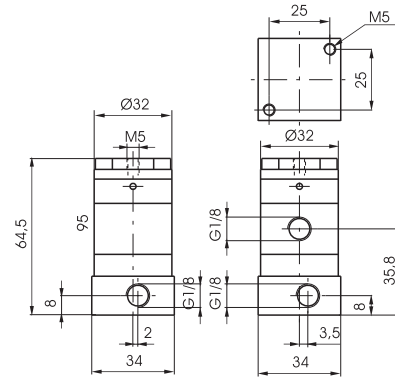
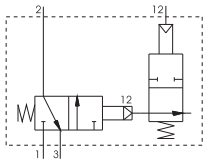
Weight gr. 600

Operational characteristics	Fluid	Max working pressure	Min working pressure	Temperature		Flow rate at 6 bar with $\Delta p=1$	Orifice size	Working port size
	Filtered and lubricated air	8 bar	2 bar	Min. -5°C	Max. +70°C	540 NI/min	mm 6	G 1/8"

**Signal amplifier G 1/8"**

Ordering code

**900.32.6**



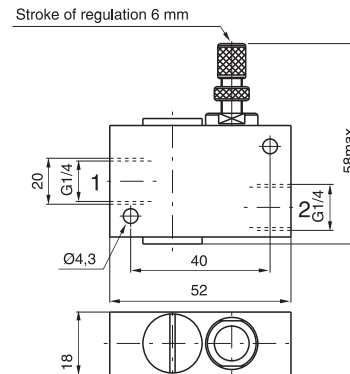
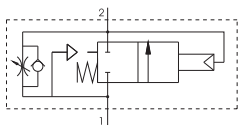
Weight gr. 170

Operational characteristics	Fluid	Max working pressure	Min working pressure	Temperature		Flow rate at 6 bar with $\Delta p=1$	Orifice size	Working port size
	Filtered and lubricated air	10 bar	0,05 bar	Min. -5°C	Max. +70°C	130 NI/min	mm 3	G 1/8"

**Progressive start-up valve G 1/4"**

Ordering code

**900.14.7**



Weight gr. 100

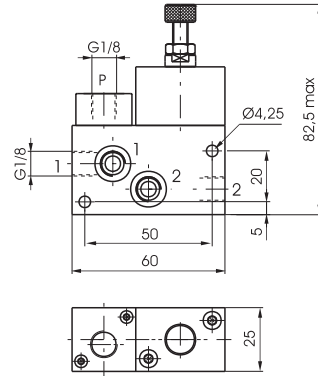
Operational characteristics	Fluid	Min / Max working pres-	Operating Temperature		Flow rate from 1 to 2	Flow rate from 2 to 1	Flow rate needle fully	Orifice size
	Filtered and lubricated air	2,5 bar 10 bar	Min. -5°C	Max. +70°C	760 NI/min	900 NI/min	200 NI/min	mm. 6



1

**High-low pressure device with pneumatic pilot**

Ordering code  
**900.18.8P**



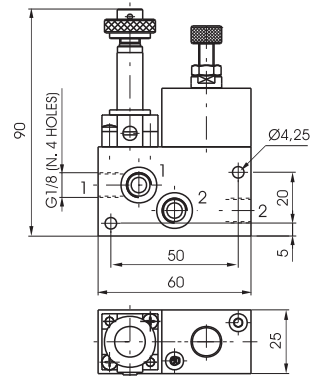
Weight gr. 240

1 = Inlet / pressure gauge  
2 = Outlet / pressure gauge  
P = Piloting

Operational characteristics	Fluid	Max working pressure	Pressure range	Temperature		Max flow 6 bar $\Delta p=1$	Working port size
	Filtered and lubricated air	10 bar	1 ÷ 4 bar	Min. -5°C	Max. +50°C	650 NI/min	G 1/8"

**High-low pressure device with M2 mechanic**

Ordering code  
**900.18.8E**



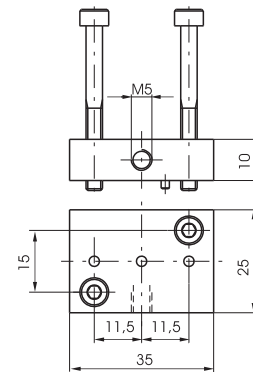
Weight gr. 280

1 = Inlet / pressure gauge  
2 = Outlet / pressure gauge

Operational characteristics	Fluid	Max working pressure	Pressure range	Temperature		Max flow 6 bar $\Delta p=1$	Working port size
	Filtered and lubricated air	10 bar	1 ÷ 4 bar	Min. -5°C	Max. +50°C	650 NI/min	G 1/8"

**External feeding base "NOT" logical element**

Ordering code  
**900.005**



Weight gr. 35